

MXH 32-48

Horizontal Multi-Stage Close Coupled Pumps



Construction

- Horizontal multi-stage close coupled pumps in chrome-nickel stainless steel.
- Compact and robust construction, with compact lantern bracket and motor with feet.
- Single-piece barrel casing, with front suction port above pumps axis and radial delivery at top.
- Filling and draining plugs on the middle of the pump, accessible from any side (like the terminal box).

Applications

For water supply.
For clean liquids, without abrasives, which are non-aggressive for stainless steel (with suitable seal materials, on request). Universal pump, for civil and industrial applications, for garden use and irrigation.

Operating Conditions

Liquid temperature from - 15 DC to + 110 DC.
Ambient temperature up to 40 DC.
Maximum permissible pressure in the pump casing: 10 bar.

Motor

2-pole induction motor, 50 Hz (n = 2900 rpm).
MXH: three-phase 230/400 V ± 10% up to 3 kW;
400/690 V ± 10% from 4 to 7,5 kW.
Insulation class F. Protection IP 54.

Classification scheme IE2.

Constructed in accordance with:
EN 60034-1;
EN 60034-30.

Special Features on Request

- Pump with Victaulic ports (MXH-V).
- Pump with flanged ports (MXH-F).
- Other voltages.
- Frequency 60 Hz (as per 60 Hz data sheet).
- Protection IP 55.
- Special mechanical seal
- Seal rings in FPM.
- Higher or lower ambient temperatures.
- Motor suitable operation with frequency converter.

Materials

| Component | Material |
|--|--|
| Pump casing | Chrome-nickel steel AISI 304 |
| Stage casing | Chrome-nickel steel AISI 304 |
| Wear ring | PTFE |
| Impeller | Chrome-nickel steel AISI 304 |
| Casing cover | Chrome-nickel steel AISI 304 |
| Spacer sleeve | Chrome-nickel steel AISI 304 |
| Pump Shaft | Chrome-nickel steel AISI 316 |
| Plug | Chrome-nickel steel AISI 303 |
| Mechanical seal with seat according to ISO 3069-KU | Ceramic alumina, carbon, EPDM (Other materials on request) |

MXH 32-48

Horizontal Multi-Stage Close Coupled Pumps

Performance Table and Characteristic Curves

n = 2900 rpm

| 3 ~ | 230 V | | 400 V | | P ₂ | | Q | m ³ /h | | | | | | | | | | | |
|------------|-------|-----|-------|-----|----------------|----|------|-------------------|------|------|------|------|-----|------|------|-----|-----|------|--|
| | A | A | A | A | kW | HP | | 0 | 15 | 21 | 24 | 27 | 30 | 33 | 36 | 39 | 44 | 50 | |
| MXH 3201/A | 9,15 | 5,3 | 2,2 | 3 | H | m | 0 | 250 | 350 | 400 | 450 | 500 | 550 | 600 | 650 | 733 | 833 | | |
| MXH 3202/A | | 9,6 | 4 | 5,5 | | | 18,4 | 16,3 | 15,3 | 14,8 | 14 | 13 | 12 | 10,8 | 9,3 | 6 | - | | |
| MXH 3203/A | | 12 | 5,5 | 7,5 | | | 37 | 33 | 31 | 30 | 28,5 | 27 | 25 | 23 | 20,5 | 15 | 7,5 | | |
| MXH 3204/A | | 16 | 7,5 | 10 | | | 55,5 | 50 | 47 | 45,5 | 43 | 40,5 | 38 | 35 | 31 | 23 | 10 | | |
| | | | | | | | | 74,5 | 67 | 63 | 61 | 59 | 56 | 53 | 49 | 44 | 34 | 16,5 | |

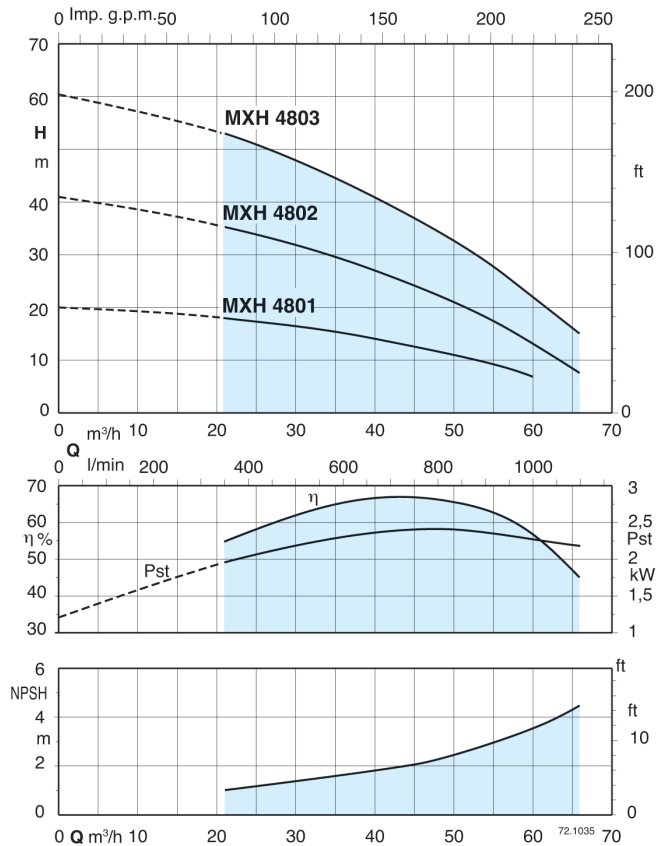
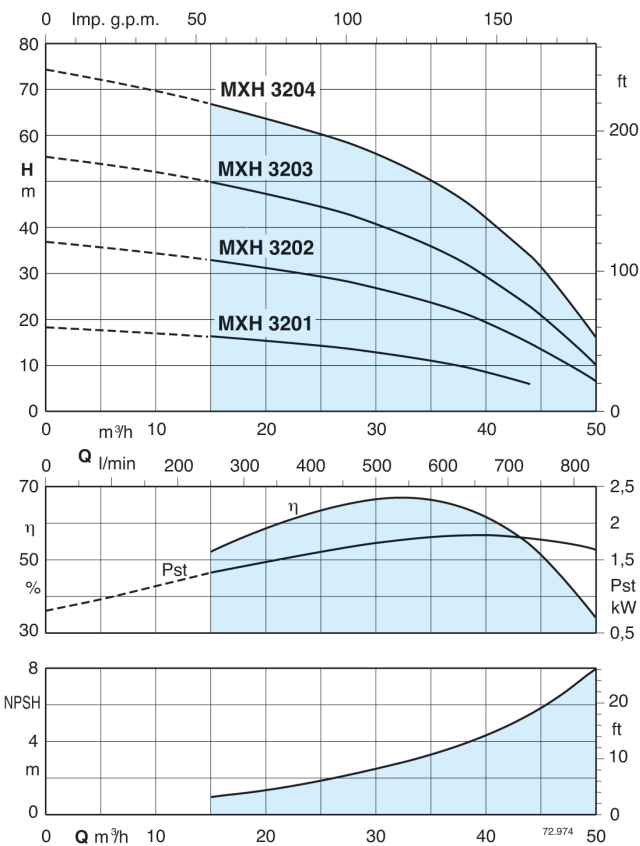
| 3 ~ | 230 V | | 400 V | | P ₂ | | Q | m ³ /h | | | | | | | | | | | |
|------------|-------|-----|-------|-----|----------------|----|------|-------------------|-----|------|------|------|------|------|-----|------|------|----|--|
| | A | A | A | A | kW | HP | | 0 | 21 | 27 | 33 | 39 | 45 | 48 | 51 | 54 | 60 | 66 | |
| MXH 4801/A | 11,5 | 6,6 | 3 | 4 | H | m | 0 | 350 | 450 | 550 | 650 | 750 | 800 | 850 | 900 | 1000 | 1100 | | |
| MXH 4802/A | | 12 | 5,5 | 7,5 | | | 20 | 18 | 17 | 16 | 14,5 | 12,5 | 11,5 | 10,5 | 9,5 | 7 | - | | |
| MXH 4803/A | | 16 | 7,5 | 10 | | | 41 | 35,3 | 33 | 30,5 | 27,5 | 24,5 | 22,5 | 21 | 19 | 14 | 7,5 | | |
| | | | | | | | 60,5 | 53 | 50 | 46 | 42,5 | 38 | 35 | 32,5 | 29 | 22,5 | 16 | | |

P₂ Rated motor power output.

Test results with clean cold water, without gas content.

IA/IN = D.O.L. starting current / Rated current

Tolerances according to ISO 9906, annex A.



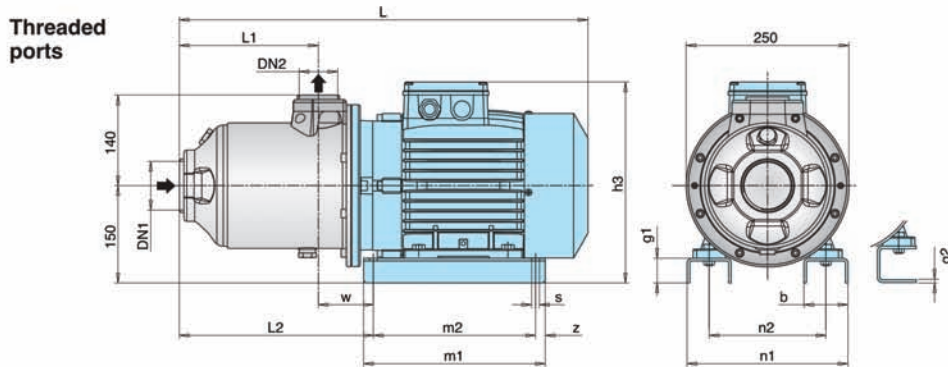
MXH 32-48

Horizontal Multi-Stage Close Coupled Pumps

Dimensions and Weights

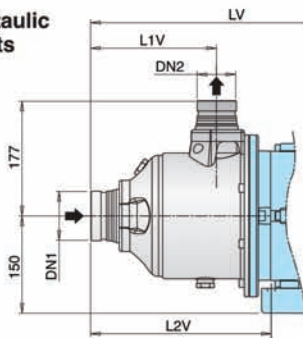
MXH-F 3204 *

Series _____
 No code = threaded ports _____
 Victaulic ports _____ V
 Flanged ports _____ F
 Rated capacity in m³/h _____
 Number of stages _____
Construction variants
 special seal code (no code = standard seal) _____



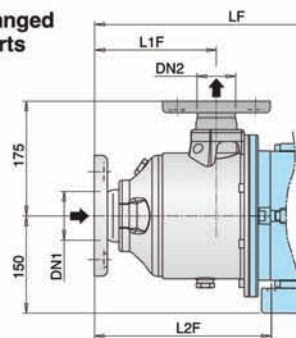
| TYPE | DN1 ISO 228 | DN2 ISO 228 | mm | | | | | | | | | | | | | kg | |
|------------|----------------|----------------|-----|-------|-----|-----|-----|-----|-----|-----|----|----|----|-------|----|----|------|
| | | | L | L1 | L2 | h3 | m1 | m2 | n1 | n2 | z | b | s | w | g1 | | g2 |
| MXH 3201/A | G 2 1/2 | G 2 | 501 | 120,5 | 216 | 280 | 205 | 175 | 170 | 130 | 15 | 54 | 10 | 92,5 | - | 6 | 29,4 |
| MXH 3202/A | G 2 1/2 | G 2 | 515 | 120,5 | 233 | 290 | 205 | 175 | 180 | 140 | 15 | 54 | 10 | 112 | - | 6 | 38,5 |
| MXH 3203/A | G 2 1/2 | G 2 | 582 | 166,5 | 251 | 310 | 280 | 250 | 258 | 190 | 15 | 68 | 12 | 84 | 38 | - | 50 |
| MXH 3204/A | G 2 1/2 | G 2 | 628 | 212,5 | 297 | 310 | 280 | 250 | 258 | 190 | 15 | 68 | 12 | 84 | 38 | - | 57,5 |
| MXH 4801/A | G 3 | G 2 1/2 | 545 | 136 | 263 | 290 | 205 | 175 | 180 | 140 | 15 | 54 | 10 | 128,5 | - | 6 | 38 |
| MXH 4802/A | G 3 | G 2 1/2 | 566 | 136 | 235 | 310 | 280 | 250 | 258 | 190 | 15 | 68 | 12 | 100 | 38 | - | 49,5 |
| MXH 4803/A | G 3 | G 2 1/2 | 628 | 197,5 | 297 | 310 | 280 | 250 | 258 | 190 | 15 | 68 | 12 | 100 | 38 | - | 58 |

Victaulic ports

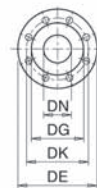


| TYPE | DN1 mm | DN2 mm | mm | | |
|--------------|-------------|-------------|-----|-----|-----|
| | | | LV | L1V | L2V |
| MXH-V 3201/A | 76,1 (DN65) | 60,3 (DN50) | 541 | 160 | 256 |
| MXH-V 3202/A | 76,1 (DN65) | 60,3 (DN50) | 555 | 160 | 273 |
| MXH-V 3203/A | 76,1 (DN65) | 60,3 (DN50) | 622 | 206 | 291 |
| MXH-V 3204/A | 76,1 (DN65) | 60,3 (DN50) | 668 | 252 | 337 |
| MXH-V 4801/A | 88,9 (DN80) | 76,1 (DN65) | 585 | 175 | 303 |
| MXH-V 4802/A | 88,9 (DN80) | 76,1 (DN65) | 606 | 175 | 275 |
| MXH-V 4803/A | 88,9 (DN80) | 76,1 (DN65) | 668 | 237 | 337 |

Flanged ports



| TYPE | DN1 mm | DN2 mm | mm | | |
|--------------|-----------|-----------|-----|-----|-----|
| | | | LF | L1F | L2F |
| MXH-F 3201/A | 65 | 50 | 531 | 151 | 246 |
| MXH-F 3202/A | 65 | 50 | 545 | 151 | 263 |
| MXH-F 3203/A | 65 | 50 | 612 | 197 | 281 |
| MXH-F 3204/A | 65 | 50 | 658 | 243 | 327 |
| MXH-F 4801/A | 80 | 65 | 565 | 156 | 283 |
| MXH-F 4802/A | 80 | 65 | 586 | 156 | 255 |
| MXH-F 4803/A | 80 | 65 | 648 | 218 | 317 |



Flanges* EN 1092-2

| DN | DE | DK | DG | Fori | |
|----|-----|-----|-----|------|----|
| | | | | N. | Ø |
| 50 | 165 | 125 | 99 | 4 | 19 |
| 65 | 185 | 145 | 118 | 4 | 19 |
| 80 | 200 | 160 | 132 | 8 | 19 |

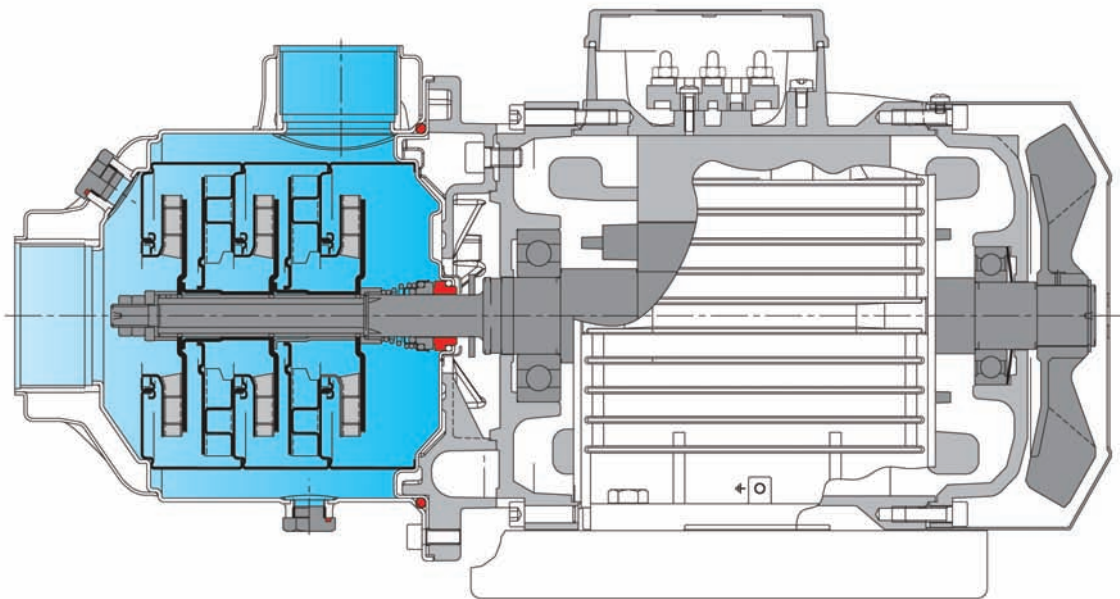
* ASME 150 lb (ex ANSI 150 lb)

MXH 32-48

Horizontal Multi-Stage Close Coupled Pumps

Performance Table

n = 2900 rpm



Flexibility

Three versions of ports: threaded, flanged and Victaulic.

Extra safety

With front axis suction port for optimum suction conditions.

Reliable

All hydraulic parts in contact with the pumped liquid are made in stainless steel.
For liquids from -15 °C to 110 °C.

Robust

Single-piece, thick barrel casing, open on one side only, with reinforced threaded ports.

Compact

The bracket between pump and motor is extremely compact.

Greater protection

Against leakage, with the pump casing cover separated from the motor shield.
Possibility of inspecting the seal through the side apertures between the two walls.