

# DWX

## Stainless Steel Drainage Pumps



### FEATURES

- Fully made in stainless steel AISI304
- Double mechanical seal (SIC/SIC/NBR)
- Thermal protector embedded in the winding (for 1 ph.)
- Passage of suspended solids up to 8 mm
- 10M H07-RNF Cable (1 ph. with plug)
- Suction flange line with thermoplastic polyurethane for increased resistance to abrasion
- Maximum liquid temperature: 0-35 °C
- Maximum immersion depth: 7 m
- IP68 protection Insulation Class: F
- Maximum number of start-ups per hour: 20 (at regular intervals)
- Continuous duty (with submerged motor)
- 1½" discharge (threaded)
- Minimum level of pump liquid 25 mm
- Dry motor cooled by pumped liquid

### APPLICATIONS

DWX pump is designed for pumping clean water or slightly dirty water. It uses to drain water, domestic waste water, infiltration water, domestic (grey water), washing machines, showers, sinks and remove water from flooded areas in emergency conditions. It is also used to transfer between tanks and cisterns, emptying ponds, decorative waterfalls, and pools, emptying of tanks in industrial and ecological applications, irrigation of lawn and garden, draining of construction sites.

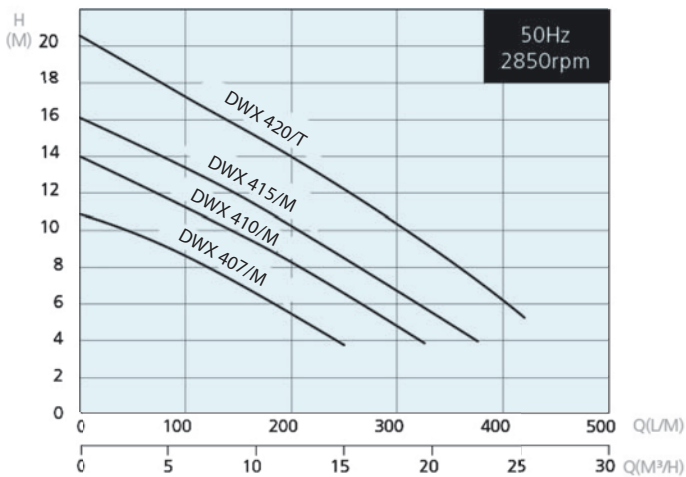
### OPTIONAL

60 Hz

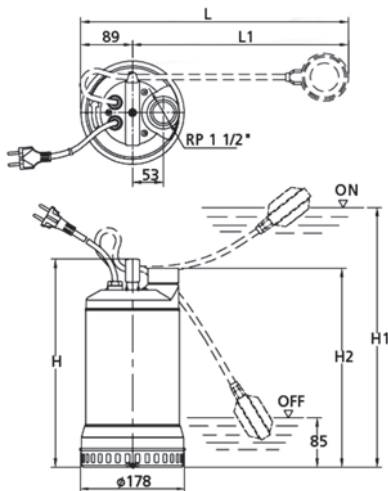
# DWX

## Stainless Steel Drainage Pumps

### Performance Table and Dimensions



Type	P2		1 Ph 230 V	Capacitor		3 Ph 400 V	l/min Q m <sup>3</sup> /h	0	83	166	200	250	300	333	400
	kW	HP	A	μF	V	A		0	5	10	12	15	18	20	24
DWX 407 M/T	0,55	0,75	3,58	15	450	1,33	H m	10,9	8,8	6,4	5,2	3,9	-	-	-
DWX 410 M/T	0,75	1	4,78	22	450	2,07		14	11,6	8,8	8	6,1	4,3	-	-
DWX 415 M/T	1,1	1,5	7,21	30	450	2,48		16	13,5	11	10	8,1	6,3	5,1	-
DWX 420 T	1,5	2	-	-	-	3,31		20,6	17,5	15	14	11,9	10,1	8,8	6



Part	Material
Handle	AISI 304 + Nylon
Pump Cover	AISI 304
Motor Cover	AISI 304
Housing	AISI 304
Impeller	AISI 304
Key	AISI 304
Shaft	AISI 304
Strainer	AISI 304
Pump Casing	AISI 304

Model	H		H1	H2		L	L1	Weight (kg)	
	1 PH	3 PH		1 PH	3 PH			1 PH	3 PH
DWX 407 M/T	357	357	437	341	341	459	370	11,5	11
DWX 410 M/T	407	357	497	391	341	514	425	14,5	11
DWX 415 M/T	407	407	497	391	391	514	425	16,5	14
DWX 420 T	-	407	-	-	391	-	-	-	16